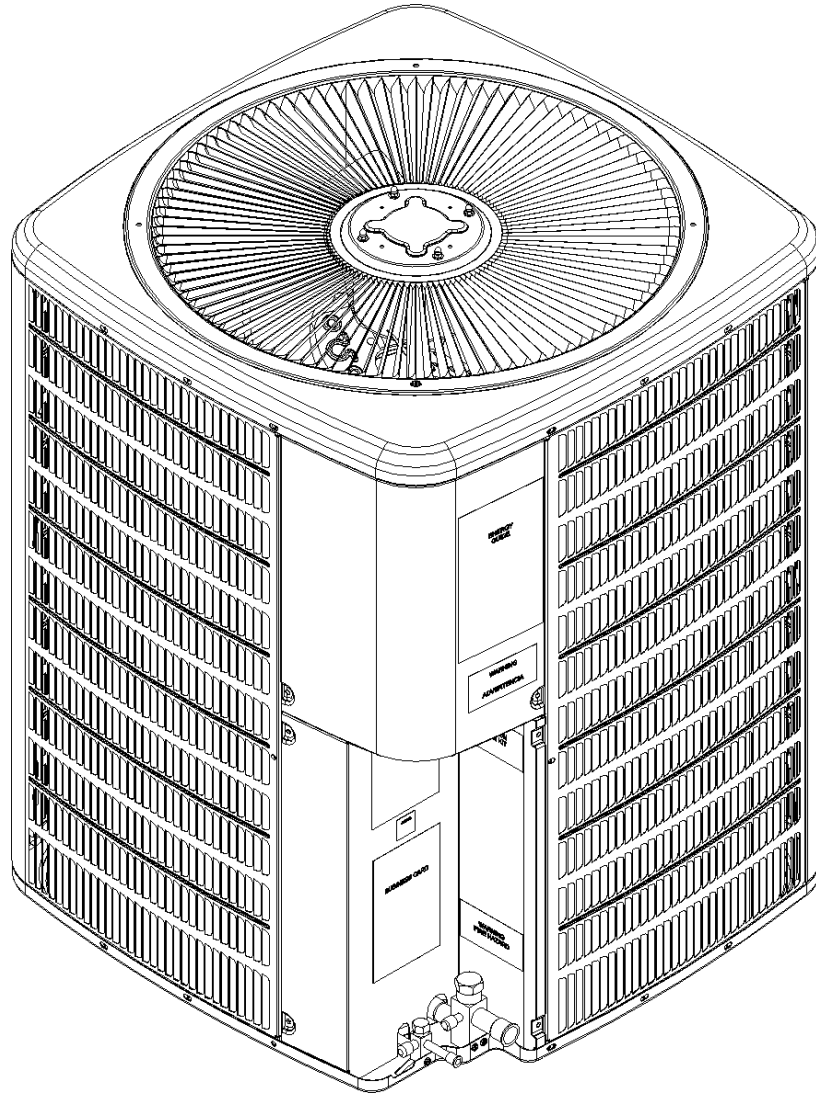


REPAIR PARTS

CKL*60 Hz Remote Condensing Units

CKL18-1P
CKL18-1R
CKL24-1P
CKL24-1R
CKL30-1M
CKL30-1N
CKL36-1M
CKL36-1N
CKL36-1PB
CKL42-1M
CKL42-1N
CKL49-1M
CKL49-1N
CKL49-1PB
CKL49-3M
CKL49-3N
CKL60-1M
CKL60-1N
CKL60-1PB
CKL60-3M
CKL60-3N
CKL60-3PB



This manual is to be used by qualified technicians only.

This manual replaces RP-426A.

© 2009, 2012 Goodman Manufacturing Company, L.P. ♦ 5151 San Felipe, Suite 500 ♦ Houston, TX 77056

Important Information

Index

Functional Parts List	3
Illustration and Parts	4 - 9

Views shown are for parts illustrations only, not servicing procedures.

Text Codes:

AR - As Required

NA - Not Available

NS - Not Shown

00000000 - See Note

QTY - Quantity Example (QTY 3) (If Quantity not shown, Quantity = 1)

M - Model Example (M1) (If M Code not shown, then part is used on all Models)

Expanded Model Nomenclature:

Example M1 - Model#1 M2 - Model#2 M3 - Model#3

Goodman Manufacturing Company, L.P. is not responsible for personal injury or property damage resulting from improper service. Review all service information before beginning repairs.

Warranty service must be performed by an authorized technician, using authorized factory parts. If service is required after the warranty expires, Goodman Manufacturing Company, L.P. also recommends contacting an authorized technician and using authorized factory parts.

Goodman Manufacturing Company, L.P. reserves the right to discontinue, or change at any time, specifications or designs without notice or without incurring obligations.

For assistance within the U.S.A. contact:
Consumer Affairs Department
Goodman Manufacturing Company, L.P.
7401 Security Way
Houston, Texas 77040
877-254-4729-Telephone
713-863-2382-Facsimile

For assistance outside the U.S.A. contact:
International Division
Goodman Manufacturing Company, L.P.
7401 Security Way
Houston, Texas 77040
713-861-2500-Telephone
713-863-2382-Facsimile

Functional Parts

Part

No: Description:

Expanded Model Nomenclature

CAP050250440RSS	CAPACITOR 5/25/440V (M1, M2)
CAP050300440RSS	CAPACITOR 5/30/370V (M3, M4)
CAP050350440RSS	CAPACITOR 5/35/440V (M5, M6, M7, M8, M9)
CAP050000370VAS	CAPACITOR 5/370V (M15, M16, M20, M21, M22)
CAP050400440RTS	CAPACITOR 5/40/440V (M10, M11, M12, M13, M14)
CAP050800440RTS	CAPACITOR 5/80/440V (M17, M18, M19)
CR28K6PFV920	COMP,28200,208/230/60/1 (M5, M6)
CR30K6PFV875	COMP,32000,208/230/60/1 (M9)
CR32K6PFV960	COMP,32000,208/230/60/1 (M7, M8)
CR42K6PFV875	COMP,41900,208/230/60/1 (M14)
ZR54K5TF5800	COMP,54200,200/230/60/3 (M20, M21)
ZR57K3TF5930	COMP,58000,208/230/60/1 (M22)
CR18K6PFV960	COMPRESSOR 18000, 208/230/60/1 (M1, M2)
CR22K6PFV960	COMPRESSOR 22100, 208/230/60/1 (M3, M4)
CR38K6PFV960	COMPRESSOR 38200, 208/230/60/1 (M10, M11)
CR42K6TF5960	COMPRESSOR 41700, 200/230/60/3 (M15, M16)
CR42K6PFV960	COMPRESSOR 41900, 380/420/60/1 (M12, M13)
ZR54K3PFV930	COMPRESSOR 55000, 208/230/60/1 (M17, M18)
ZR57K3PFV930	COMPRESSOR 58000, 208/230/60/1 (M19)
0131M00018PS	COND MOTOR 1/4 HP, 1 SP, 6 PL (M3, M4, M5, M6, M7, M8, M9, M10, M11, M12, M13, M14, M15, M16, M17, M18, M19, M20, M21, M22)
B13400251S	COND MOTOR 1/6 HP, 1 SP, 8 PL (M1, M2)
CONT2P025024VS	CONTACTOR 25 AMP, 2P, 24V (M1, M2, M3, M4, M5, M6, M7, M8, M9, M10, M11)
CONT3P025024VS	CONTACTOR 25 AMP, 3P, 24V (M15, M16, M20, M21, M22)
CONT2P030024VS	CONTACTOR 30 AMP, 2P, 24V (M12, M13, M14)
CONT2P040024VS	CONTACTOR 40 AMP, 2P, 24V (M17, M18, M19)

M1 - CKL18-1P
M2 - CKL18-1R
M3 - CKL24-1P
M4 - CKL24-1R
M5 - CKL30-1M
M6 - CKL30-1N
M7 - CKL36-1M
M8 - CKL36-1N
M9 - CKL36-1PB
M10 - CKL42-1M
M11 - CKL42-1N
M12 - CKL49-1M
M13 - CKL49-1N
M14 - CKL49-1PB
M15 - CKL49-3M
M16 - CKL49-3N
M17 - CKL60-1M
M18 - CKL60-1N
M19 - CKL60-1PB
M20 - CKL60-3M
M21 - CKL60-3N
M22 - CKL60-3PB

SPECIAL PARTS

0161R00009P NAMEPLATE

Control Cover/Control Box

Image 1

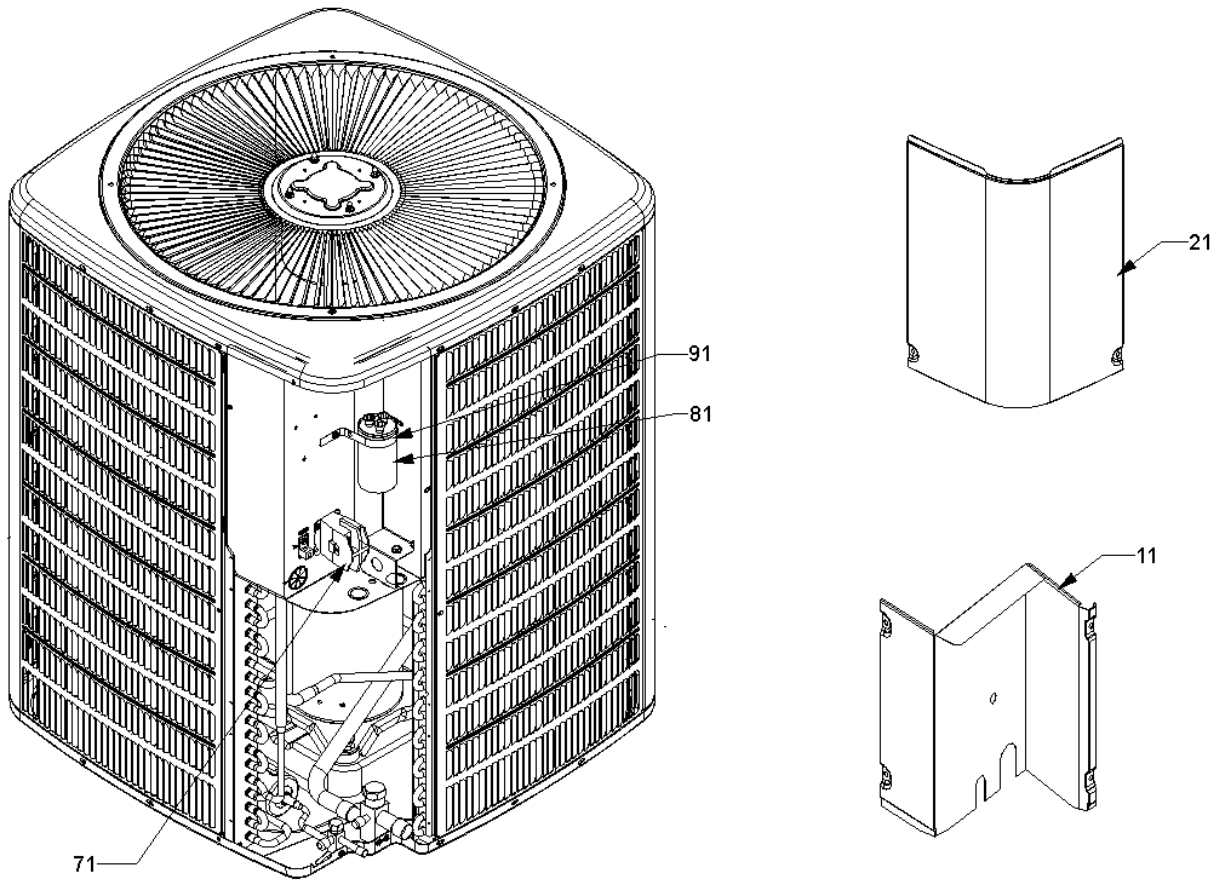
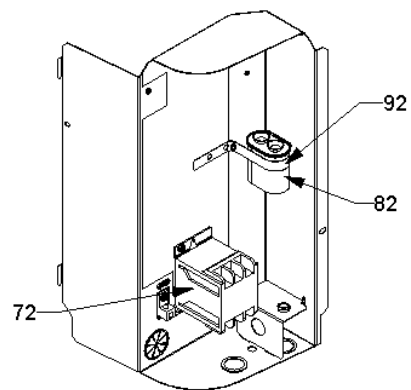


Image 2



Control Cover/Control Box

Ref. Part No: No:	Description:	Ref. Part No: No:	Description:
-------------------	--------------	-------------------	--------------

Image 1:

11	4400200	PANEL, LOWER ACCESS, C/HP (M1, M2, M3, M4, M5, M6, M7, M8, M9, M10, M11, M12, M13, M14, M15, M16)
11	4400201	PANEL, LOWER ACCESS, C/HP (M17, M18, M19, M20, M21, M22)
21	0121R00053PDG	COVER, CONTROL PNT (M2, M4, M6, M8, M9, M11, M13, M14, M16, M18, M19, M21, M22)
71	CONT2P025024VS	CONTACTOR 25 AMP, 2P, 24V (M1, M2, M3, M4, M5, M6, M7, M8, M9, M10, M11)
71	CONT2P030024VS	CONTACTOR 30 AMP, 2P, 24V (M12, M13, M14)
71	CONT2P040024VS	CONTACTOR 40 AMP, 2P, 24V (M17, M18, M19)
81	CAP050250440RSS	CAPACITOR 5/25/440V (M1, M2)
81	CAP050300440RSS	CAPACITOR 5/30/370V (M3, M4)
81	CAP050350440RSS	CAPACITOR 5/35/440V (M5, M6, M7, M8, M9)
81	CAP050400440RTS	CAPACITOR 5/40/440V (M10, M11, M12, M13, M14)
81	CAP050800440RTS	CAPACITOR 5/80/440V (M17, M18, M19)
91	4400065	CAPACITOR STRAP
NS	0161R00009P	NAMEPLATE

Image 2:

72	CONT3P025024VS	CONTACTOR 25 AMP, 3P, 24V (M15, M16, M20, M21, M22)
82	CAP050000370VAS	CAPACITOR 5/370V (M15, M16, M20, M21, M22)
92	4400065	CAPACITOR STRAP

Expanded Model Nomenclature

M1 - CKL18-1P
M2 - CKL18-1R
M3 - CKL24-1P
M4 - CKL24-1R
M5 - CKL30-1M
M6 - CKL30-1N
M7 - CKL36-1M
M8 - CKL36-1N
M9 - CKL36-1PB
M10 - CKL42-1M
M11 - CKL42-1N
M12 - CKL49-1M
M13 - CKL49-1N
M14 - CKL49-1PB
M15 - CKL49-3M
M16 - CKL49-3N
M17 - CKL60-1M
M18 - CKL60-1N
M19 - CKL60-1PB
M20 - CKL60-3M
M21 - CKL60-3N
M22 - CKL60-3PB

Tubing Assembly

Image 1

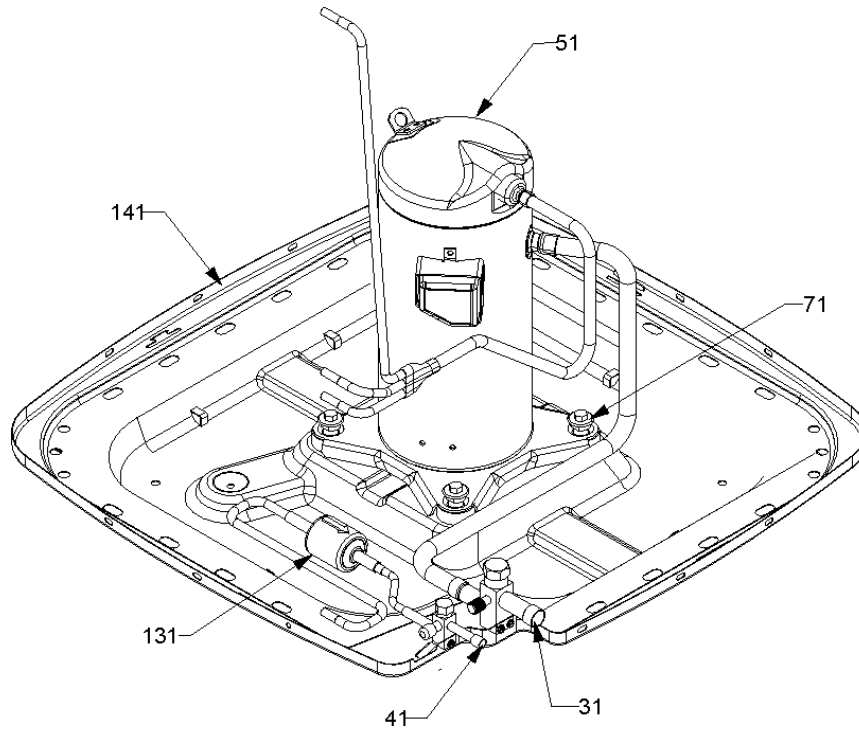
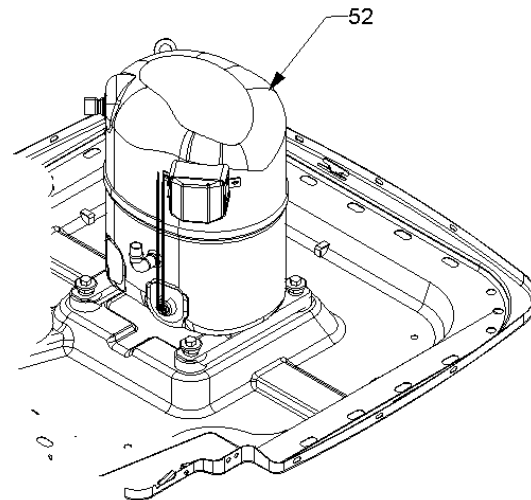


Image 2



Tubing Assembly

Ref. Part No: No:	Description:	Ref. Part No: No:	Description:
-------------------	--------------	-------------------	--------------

Image 1:

31	0151R00032	VALVE, BASE 3/4" OPEN LEFT (M1, M2, M3, M4, M5, M6, M7, M8, M9)
31	0151R00033	VALVE, BASE 7/8" OPEN LEFT (M10, M11, M12, M13, M14, M15, M16, M17, M18, M19, M20, M21, M22)
41	B12825171	3/8" SERVICE VALVE
51	ZR54K5TF5800	COMP,54200,200/230/60/3 (M20, M21)
51	ZR57K3TF5930	COMP,58000,208/230/60/1 (M22)
51	ZR54K3PFV930	COMPRESSOR 55000, 208/230/60/1 (M17, M18)
51	ZR57K3PFV930	COMPRESSOR 58000, 208/230/60/1 (M19)
71	M0221641	TF SHOULDER SCREW (QTY 4)
131	B1219225	SINGLE-FLOW FILTER DRIER,STEEL (M12, M13, M14, M15, M16, M17, M18, M19, M20, M21, M22)
141	0121R00005PDG	BASE PAN 26" (M2, M4, M6, M8, M9, M11)
141	0121R00006PDG	BASE PAN 29" (M12, M15, M17, M20)
NS	B1339530	COMPRESSOR GROMMET (M1, M2, M3, M4, M5, M6, M7, M8, M9, M10, M11, M12, M13, M14, M15, M16)
NS	B1339533	COMPRESSOR GROMMET (M17, M18, M19, M20, M21, M22)
NS	B1789852	FLOW CHECK PISTON KIT .052 (M2)
NS	B1789859	FLOW CHECK PISTON KIT .059 (M3)
NS	B1789865	FLOW CHECK PISTON KIT .065 (M5)
NS	B1789871	FLOW CHECK PISTON KIT .071 (M7)
NS	B1789876	FLOW CHECK PISTON KIT .076 (M10)
NS	B1789880	FLOW CHECK PISTON KIT .080 (M13, M14, M16)
NS	B1789893	FLOW CHECK PISTON KIT .093 (M17, M20)

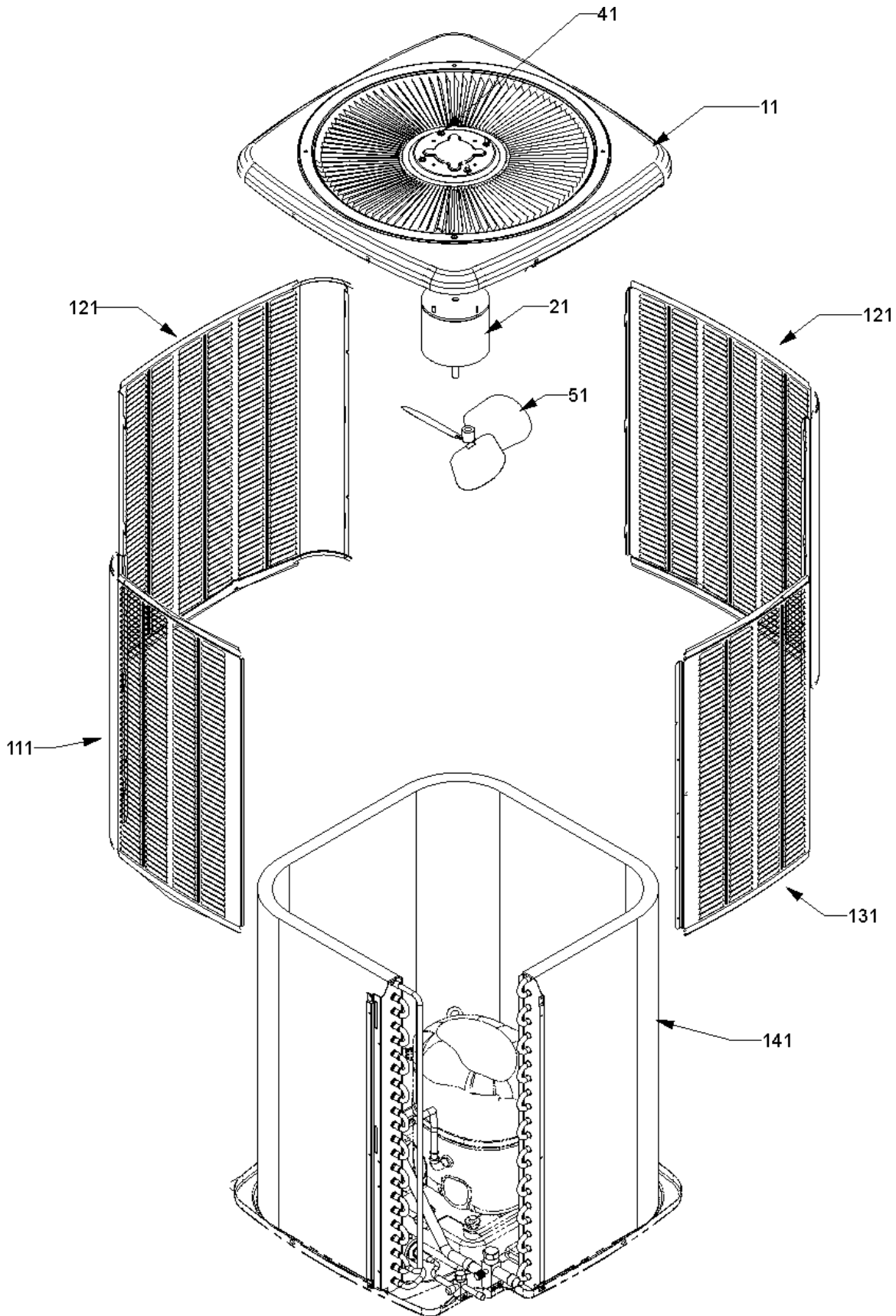
Expanded Model Nomenclature

M1 - CKL18-1P
M2 - CKL18-1R
M3 - CKL24-1P
M4 - CKL24-1R
M5 - CKL30-1M
M6 - CKL30-1N
M7 - CKL36-1M
M8 - CKL36-1N
M9 - CKL36-1PB
M10 - CKL42-1M
M11 - CKL42-1N
M12 - CKL49-1M
M13 - CKL49-1N
M14 - CKL49-1PB
M15 - CKL49-3M
M16 - CKL49-3N
M17 - CKL60-1M
M18 - CKL60-1N
M19 - CKL60-1PB
M20 - CKL60-3M
M21 - CKL60-3N
M22 - CKL60-3PB

Image 2:

52	CR28K6PFV920	COMP,28200,208/230/60/1 (M5, M6)
52	CR30K6PFV875	COMP,32000,208/230/60/1 (M9)
52	CR32K6PFV960	COMP,32000,208/230/60/1 (M7, M8)
52	CR42K6PFV875	COMP,41900,208/230/60/1 (M14)
52	CR18K6PFV960	COMPRESSOR 18000, 208/230/60/1 (M1, M2)
52	CR22K6PFV960	COMPRESSOR 22100, 208/230/60/1 (M3, M4)
52	CR38K6PFV960	COMPRESSOR 38200, 208/230/60/1 (M10, M11)
52	CR42K6TF5960	COMPRESSOR 41700, 200/230/60/3 (M15, M16)
52	CR42K6PFV960	COMPRESSOR 41900, 380/420/60/1 (M12, M13)

Coil Assy/Cabinet Top/Side Panels



Coil Assy/Cabinet Top/Side Panels

**Ref. Part
No: No:**

Description:

**Ref. Part
No: No:**

Description:

Image 1:

11	0121R00008PDGS	PANEL, TOP 26" PNT (M2, M4, M6, M8, M9, M11)
11	0121R00010PDGS	PANEL, TOP 29" PNT (M13, M14, M16, M18, M19, M21, M22)
21	0131M00018PS	COND MOTOR 1/4 HP, 1 SP, 6 PL (M3, M4, M5, M6, M7, M8, M9, M10, M11, M12, M13, M14, M15, M16, M17, M18, M19, M20, M21, M22)
21	B13400251S	COND MOTOR 1/6 HP, 1 SP, 8 PL (M1, M2)
41	0163M00006P	ACORN NUT 5/16 HEX BLACK (M1, M3, M5, M7, M10)
41	0163M00006P	NUT, ACORN(5/16 HEX, YELLOW ZIN (M2, M4, M6, M8, M9, M11, M12, M13, M14, M15, M16, M17, M18, M19, M20, M21, M22)
51	0150M00018S	FAN BLADE 20" (M3, M4, M5, M6, M7, M8, M9, M10, M11)
51	B1086775S	FAN BLADE 22" (M13, M14, M16, M18, M19, M21, M22)
51	0150M00005S	FAN BLADE, 20" XW2003-26 (M1, M2)
111	0121R00014PDGB	LOUVERED SIDE PANEL (M2, M4, M6, M8, M9, M11)
111	0121R00023PDGB	LOUVERED SIDE PANEL (M13, M14, M16)
111	0121R00024PDGB	LOUVERED SIDE PANEL [LT OF CNTL PNL] (M18, M19, M21, M22)
111	4400159	PANEL, LOUVER SIDE (M12, M15)
121	0121R00017PDGB	LOUVERED SIDE PANEL (M2, M4, M6, M8, M9, M11)
121	0121R00029PDGB	LOUVERED SIDE PANEL (M13, M14, M16)
121	0121R00030PDGB	LOUVERED SIDE PANEL (M18, M19, M21, M22)
121	4400166	PANEL, LOUVER SIDE (M12, M15)
131	0121R00020PDG	LOUVERED SIDE PANEL (M2, M4, M6, M8, M9, M11)
131	0121R00035PDG	LOUVERED SIDE PANEL (M13, M14, M16)
131	0121R00036PDG	LOUVERED SIDE PANEL [RT OF CNTL PNL] (M17, M20)
131	4400173	PANEL, LOUVER SIDE (M12, M15)
141	0201R00089S	TUBING ASSY, COND COIL (M5, M6, M7, M8, M9, M10, M11)
141	0201R00098S	TUBING ASSY, COND COIL (M12, M13, M14, M15, M16)
141	1362100	TUBING ASSY, COND COIL (M1, M2, M3, M4)
141	1362102	TUBING ASSY, COND COIL (M17, M18, M19, M20, M21, M22)
NS	0161R00001P	CONDUIT (M1, M2, M3, M4, M5, M6, M7, M8, M9, M10, M11)
NS	0161R00003P	CONDUIT (M12, M13, M14, M15, M16, M17, M18, M19, M20, M21, M22)

Expanded Model Nomenclature

M1 - CKL18-1P
M2 - CKL18-1R
M3 - CKL24-1P
M4 - CKL24-1R
M5 - CKL30-1M
M6 - CKL30-1N
M7 - CKL36-1M
M8 - CKL36-1N
M9 - CKL36-1PB
M10 - CKL42-1M
M11 - CKL42-1N
M12 - CKL49-1M
M13 - CKL49-1N
M14 - CKL49-1PB
M15 - CKL49-3M
M16 - CKL49-3N
M17 - CKL60-1M
M18 - CKL60-1N
M19 - CKL60-1PB
M20 - CKL60-3M
M21 - CKL60-3N
M22 - CKL60-3PB